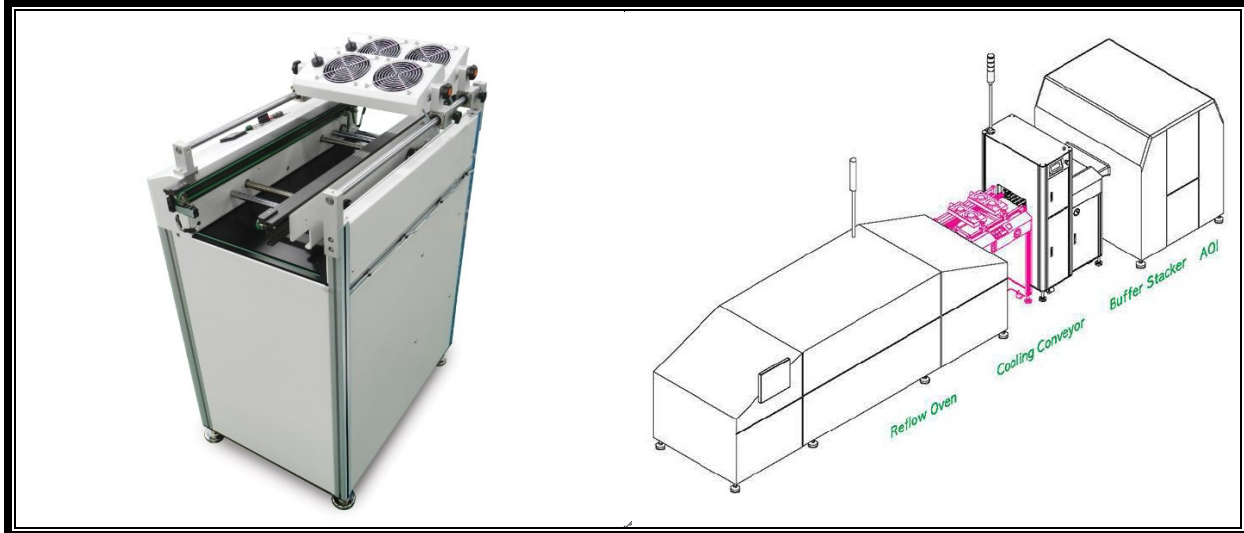


COOLING CONVEYOR

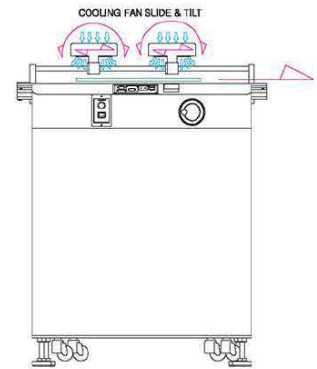


FEATURES

- SMEMA Interface
- Work and pass mode
- Durable structure with double base plate
- Button operation
- Cooling fan at conveyor
- Heat resistant belt
- Buzzer
- 3mm edge clearance at conveyor
- Clearance (upper – 25mm / lower – 25mm) at conveyor

OPTIONS

- Conveyor automatic width adjustment
- Conveyor speed control
- Cover type cooling fan
- Cooling timer
- Touchscreen
- Front door
- Pneumatic stopper
- Selectable rail length
- Multi-zone segment
- Selectable belt type (ESD, heat resistant, chain, etc.)
- 3 color LED light tower
- Dual lane
- CE



FAN TYPE



SPECIFICATIONS

| Model | Type | Max. PCB (L x W) mm | Min. PCB (L x W) mm | Dimension (L x W x H) | Power | Weight (Kg) |
|-----------|------|---------------------|---------------------|-----------------------|--------|-------------|
| ACOL-60S | S | 330 x 250 | 50 x 50 | 600 x 600 x 1305 | 0.1kVA | 90 |
| ACOL-60Y | Y | 440 x 330 | | 600 x 680 x 1305 | | 100 |
| ACOL-60L | L | 530 x 375 | | 600 x 725 x 1305 | | 110 |
| ACOL-60X | XL | 530 x 460 | | 600 x 810 x 1305 | | 120 |
| ACOL-602X | 2XL | 610 x 460 | | 800 x 810 x 1305 | | 140 |

Custom options available by request